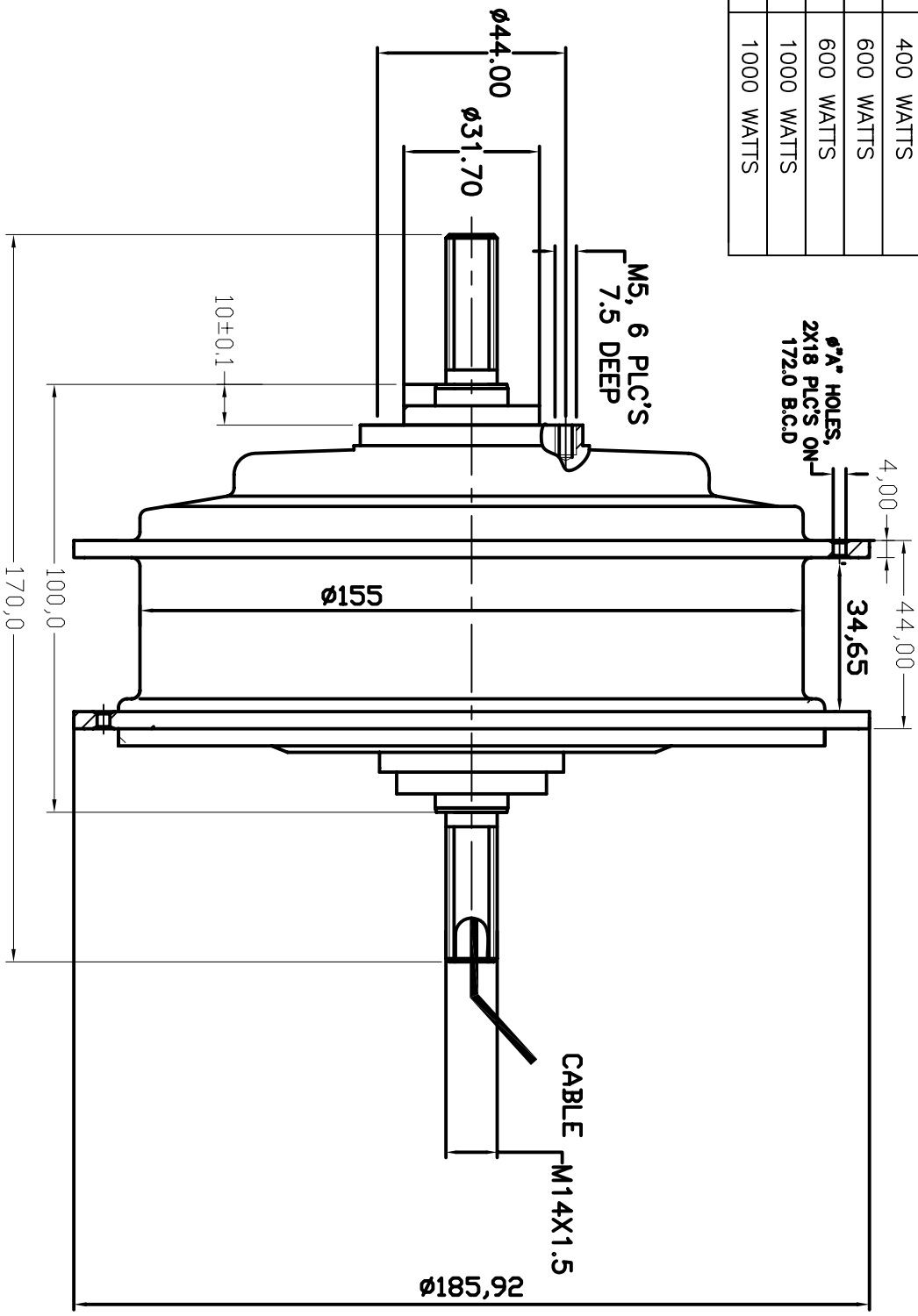


NOTE: THIS IS CONFIDENTIAL PROPERTY OF BMC.IT IS NOT TO BE COPIED OR DUPLICATED IN ANY MANNER AND SHALL NOT BE SUBMITTED TO OUTSIDE PARTIES WITHOUT OUR WRITTEN CONSENT.

14170C

PART NO	Ø"A"	PERFORMANCE SPEC.
14170-1	2.5	400 WATTS
-2	3.2	600 WATTS
-2T	3.2	600 WATTS
-3	3.2	1000 WATTS
-3T	3.2	1000 WATTS



REV.	DATE	BY	ECN	REMARKS	CK

- NOTE:
1. ALL DIMENSIONS ARE IN MM.
  2. ROTATION CW (LEAD END)

<b>TOLERANCES UNLESS NOTED</b> .0 ±.25 .00 ±.13 ANGLE ± 2° (X) REF. DIM.	◊ ANGULARITY ◊ RUNOUT ◊ CONCENTRICITY ◊ PERPENDICULARITY ◊ REFERENCE DIM. ◊ DIAMETER	<b>DRAWN BY:</b> SHW/ETA <b>CHECKED BY:</b> CRV <b>DATE:</b> 05 APR 2011	<b>BMC BRUSHLESS MOTOR CORP.</b> 20447 NORDHOFF ST. CHASTWORTH, CA 91311 USA.	<b>DWG. NO.:</b> 14170C <b>REV.:</b>	
<b>MATERIAL</b>		<b>FRONT HUB MOTOR OUTLINE</b>			